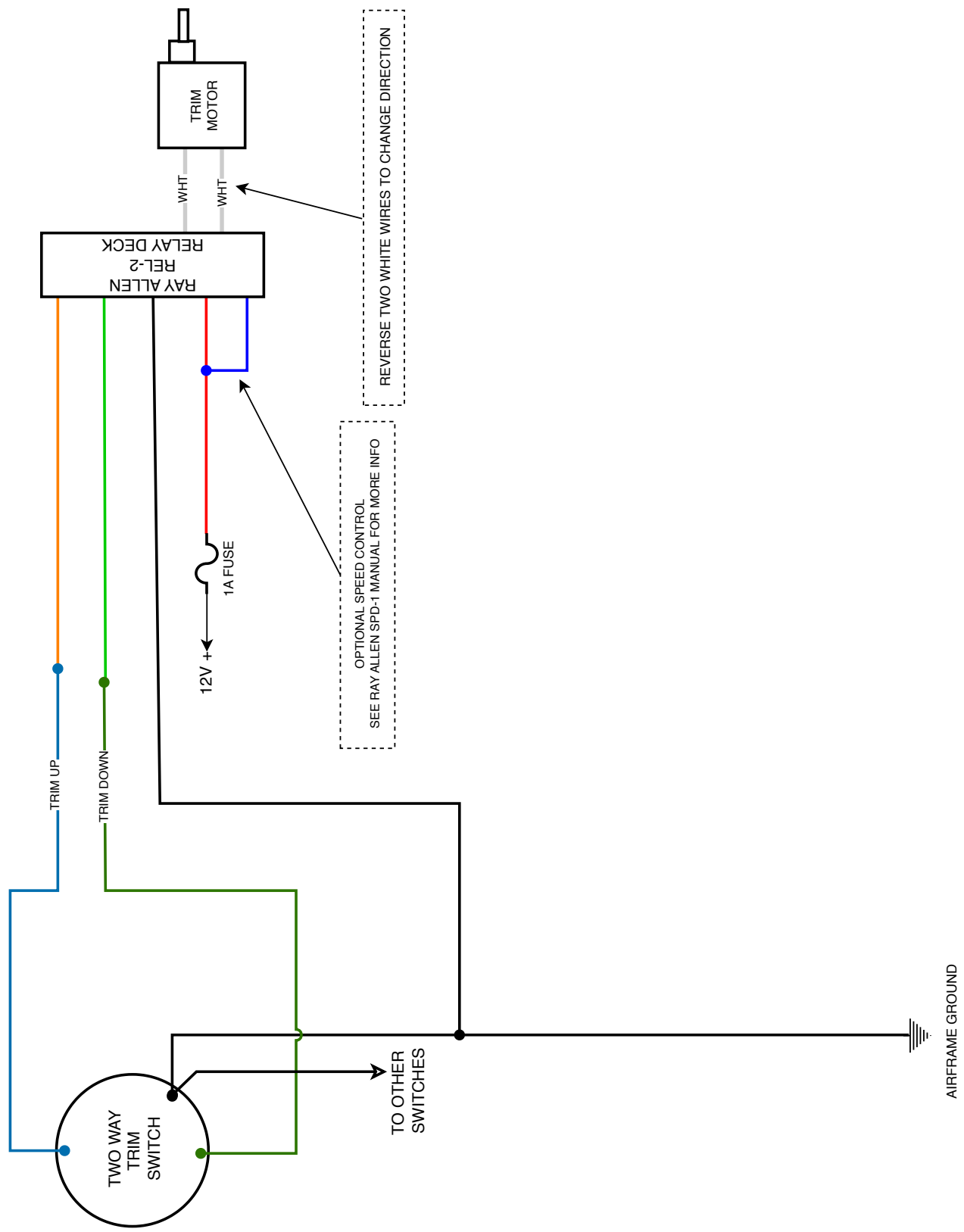


# PIONEER CONTROL GRIPS - RAY ALLEN TRIM RELAY

## TYPICAL INTERCONNECT

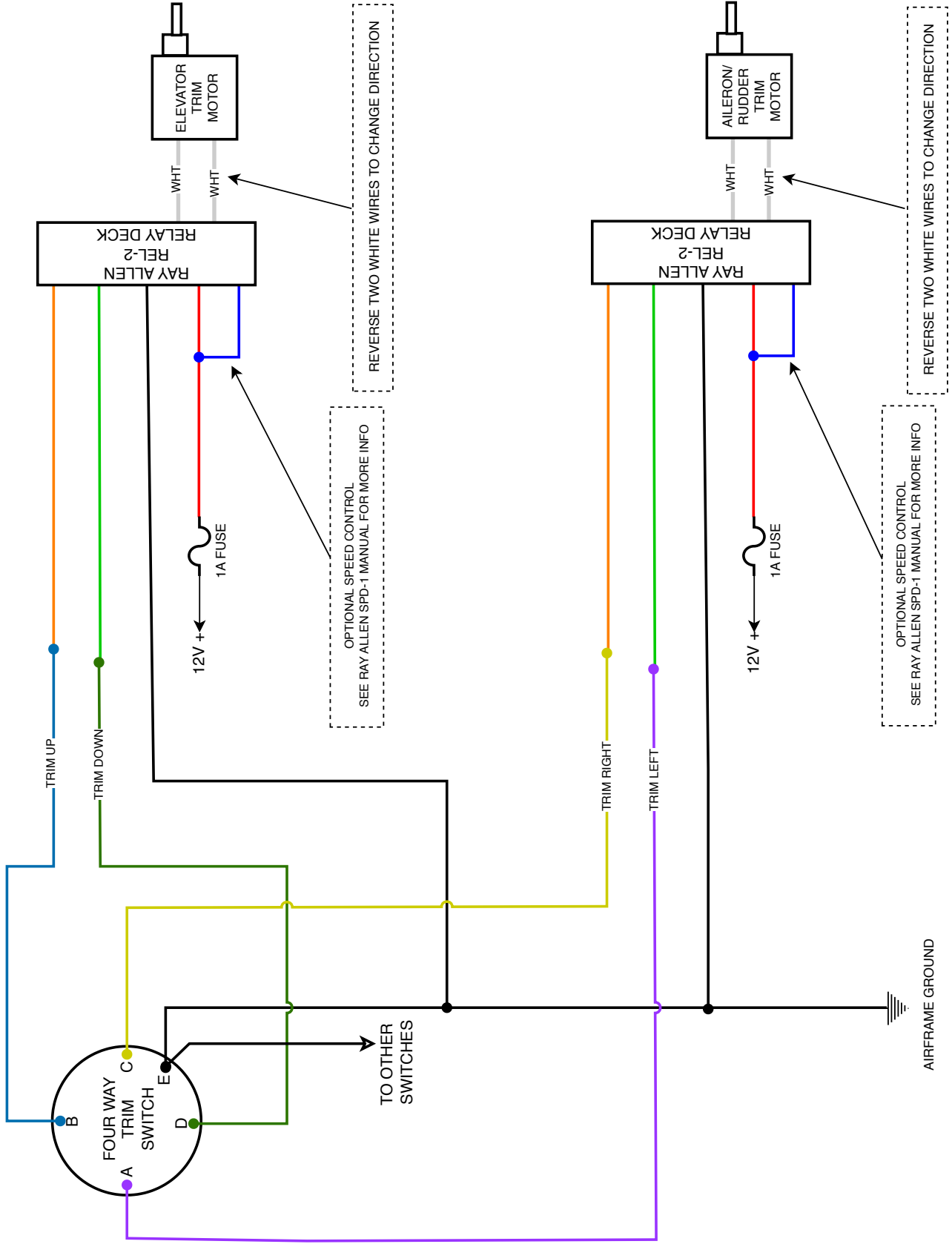
NOTE: THIS DIAGRAM IS FOR REFERENCE ONLY. SEE LATEST VERSION OF RAY ALLEN INSTALLATION MANUALS FOR FINAL INSTALLATION.  
RAY ALLEN COMPONENTS NOT SOLD THROUGH PCG.



# PIONEER CONTROL GRIPS - RAY ALLEN TRIM RELAY

## TYPICAL INTERCONNECT

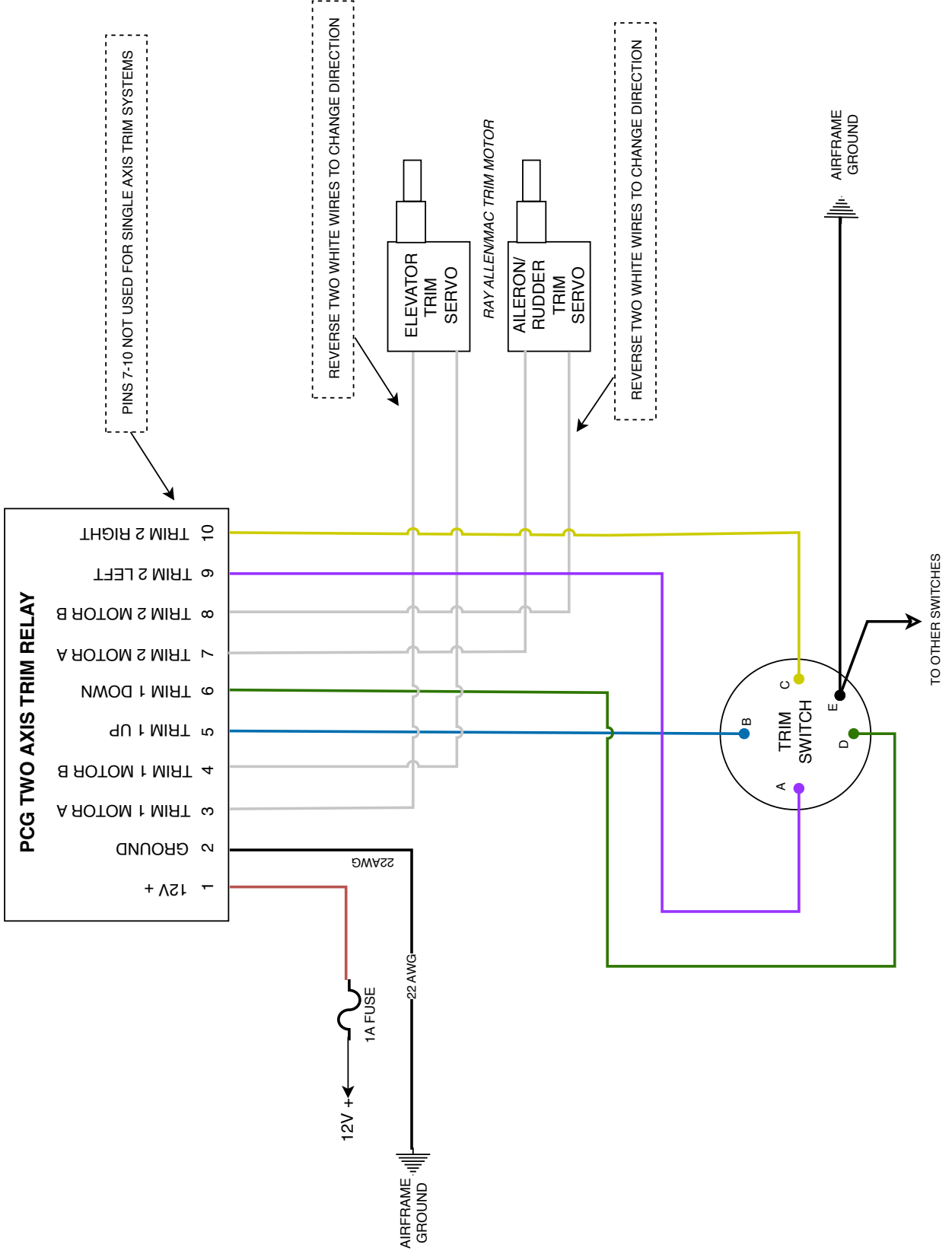
NOTE: THIS DIAGRAM IS FOR REFERENCE ONLY. SEE LATEST VERSION OF RAY ALLEN INSTALLATION MANUALS FOR FINAL INSTALLATION.  
 RAY ALLEN COMPONENTS NOT SOLD THROUGH PCG.



# PIONEER CONTROL GRIPS - PCG DUAL AXIS TRIM RELAY

## TYPICAL INTERCONNECT

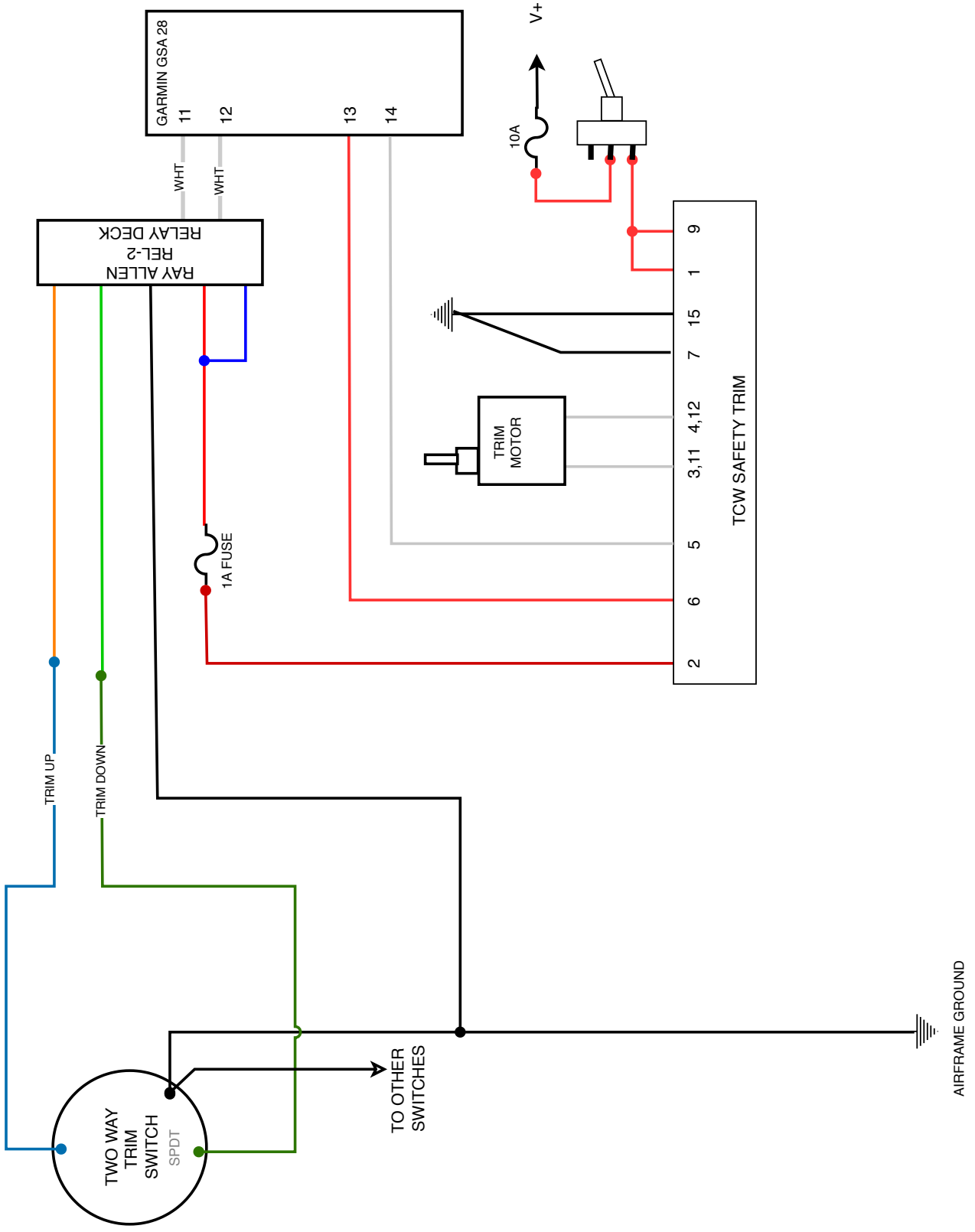
NOTE: THIS DIAGRAM IS FOR REFERENCE ONLY. SEE LATEST VERSION OF RAY ALLEN INSTALLATION MANUALS FOR FINAL INSTALLATION.  
 RAY ALLEN COMPONENTS NOT SOLD THROUGH PCG.



# PIONEER CONTROL GRIPS - TCW SAFETY TRIM / RAY ALLEN TRIM RELAY

## TYPICAL INTERCONNECT

NOTE: THIS DIAGRAM IS FOR REFERENCE ONLY. SEE LATEST VERSION OF TCW & RAY ALLEN INSTALLATION MANUALS FOR FINAL INSTALLATION.  
 TCW & RAY ALLEN COMPONENTS NOT SOLD THROUGH PCG.



# PIONEER CONTROL GRIPS - SIMPLE SPDT RELAY DIAGRAM

## TYPICAL INTERCONNECT

NOTE: THIS DIAGRAM IS FOR REFERENCE ONLY. ENSURE CORRECT VOLTAGE, WIRE GAUGE AND CIRCUIT PROTECTION FOR RELAYS AND TRIM MOTOR.

